



The original

NEW GENERATION

Pneumatic Applicator for cartridges, sachets and pouches.

The Airflow 3 provides fast, effortless application of low to high viscosity sealants and adhesives.

Designed for industrial, constructional and automotive applications, Airflow 3 offers substantial productivity gains over manual applicators, where compressed air is available.

Airflow 3™



- Ergonomically designed for comfort
- Lightweight for prolonged use
- Effortless application of sealants
- Precise control with the built-in regulator to set speed
- Inbuilt air regulator provides smooth consistent flow of sealants
- Designed and made in the UK for assured quality

**NEW IMPROVED
COMBI
VERSION**

Airflow 3™

The latest version of the Cox Airflow 3 has been ergonomically designed for outstanding comfort and ease of use. Manufactured in the UK to strict international standards, the Cox Airflow 3 provides users with the world's most comfortable and easy-to-use pneumatic sealant and adhesive applicator.

Now in its third generation, the renowned Cox Airflow range benefits from its ergonomically designed and manufactured handle and barrel strap. Additionally, the redesigned inbuilt air regulator provides the user with controlled power (three turns from zero to max) to smoothly dispense materials of varying viscosities.

Quiet in operation

Airflow 3 is ideal for environments where production and refinishing operations take place. Its inbuilt silencer lowers the noise level of the applicator to less than 70dB.

Precise control and ease of use

Airflow 3 can effortlessly dispense a wide range of low to high viscosity sealants contained in cartridges, sachets or pouches. The lightweight, lightly textured handle and well-balanced barrel make Airflow 3 easy-to-use – a matter of particular importance for operators who use the applicator above shoulder height or for extended periods.



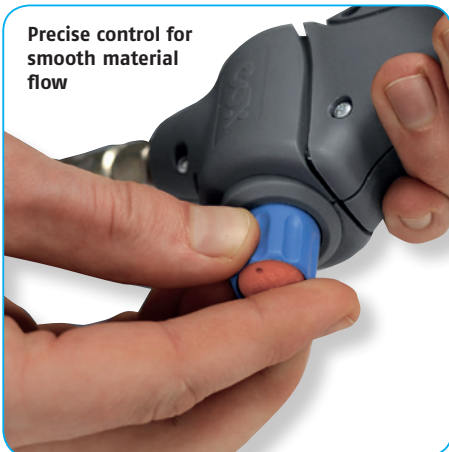
Regulators

Standard:	6.8 bar (100 psi)	
Options available:	3.4 bar (50 psi)	
	5.2 bar (75 psi)	
	8.5 bar (125 psi)	

Colour of plug denotes regulator value



Precise control for smooth material flow



Ergonomically designed for comfortable use



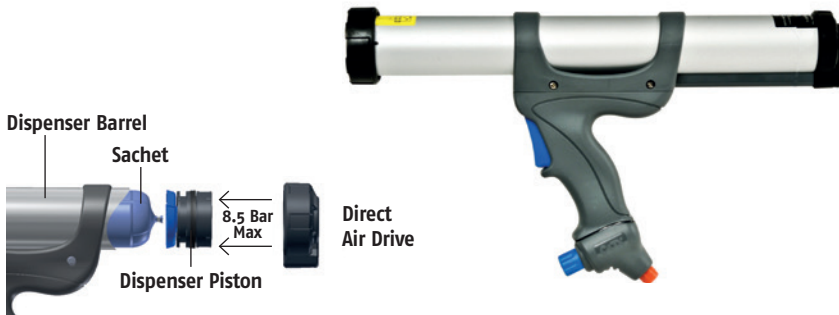
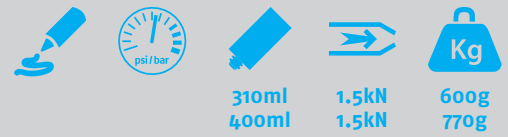
Built-in silencer for a user friendly work environment (less than 70dB)





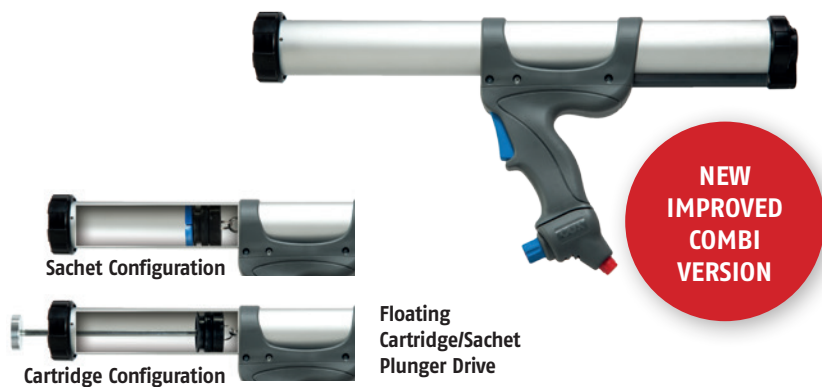
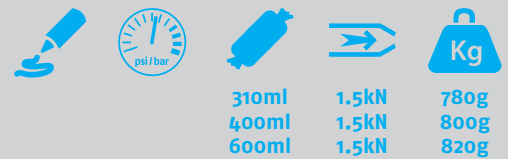
Airflow 3™ CARTRIDGE

- Low – medium viscosity
- Compact applicators – ideal for tight spaces
- 6.8bar (100psi) regulator



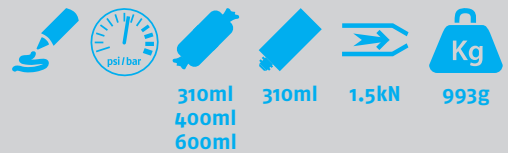
Airflow 3™ SACHET

- Low – medium viscosity
- For larger volume material – up to 600ml sachets
- Floating plunger assembly – relatively small waste of material
- 6.8bar (100psi) regulator (others are available)

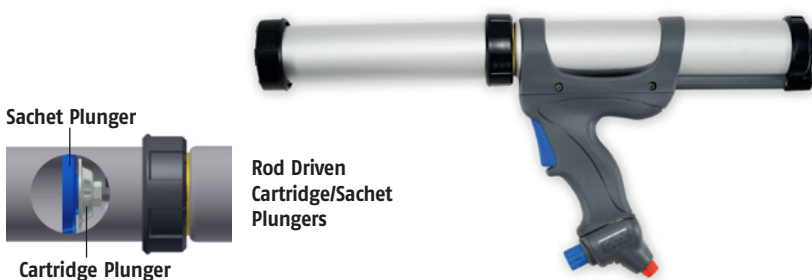


Airflow 3™ COMPACT COMBI NEW IMPROVED

- Low – medium viscosity
- Shorter than Combi version – for easier use
- Lightweight as only one barrel
- Versatile tool for cartridges and sachets
- 6.8bar (100psi) regulator (others are available)

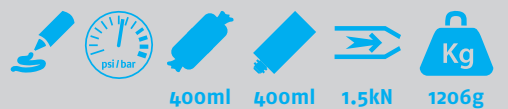


Not for 400ml cartridges (see Airflow 3 Combi 400ml)



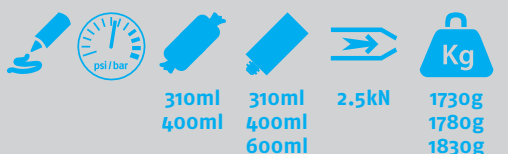
Airflow 3™ COMBI 400ml

- Low – medium viscosity
- 6.8bar (100psi) regulator (others available)
- Double barrel; rod driven



Airflow 3™ COMBI HP

- Very powerful for high viscous materials
- Medium – high viscosity
- 8.5 bar (125psi) regulator



Airflow 3™

Compressor Guide



Output of around 150L/min (5cfm) with receiver tank from 10L (PC Cox recommends 50L for long tool life)



Airline/Hose



Standard Nut and Tail 7A2000



European Quick Release 7A2001



American Quick Release 7A2002

Connector Options. Standard applicator provided without a connector, can be bought separately.



Air tool with exhaust valve (rapid depressurisation when trigger is released)

Airflow 3 – Fully standards compliant:

- ISO 12100:2010
- ISO 9001:2008
- EN 983:1996+A1:2008
- CE

COX Accessories

A wide range of accessories are available for you to get the most from your applicator



Bespoke power and viscosity options

For different power or viscosity requirements, please contact us or visit www.pccox.co.uk

PRODUCT RANGE BY POWER



Academy



World leading consumer support

Cox have a library of online tutorial videos which offer support and training, enabling you to use our products to the best of your ability.

www.pccox.co.uk/academy



PC Cox Ltd., Turnpike Road, Newbury, Berkshire, RG14 2LR
T Sales +44 (0) 1635 264500 F +44 (0) 1635 264555
E sales@pccox.co.uk www.pccox.co.uk

©PC Cox 2014. Cox and Airflow 3 are trademarks of PC Cox Ltd. Every effort has been made to ensure that the information contained in this leaflet was correct at the time of going to press. However, the company retains the right to change any specification without notice, in line with the company's policy of continual product development.

1P3217-Airflow-v15

COX
The original

